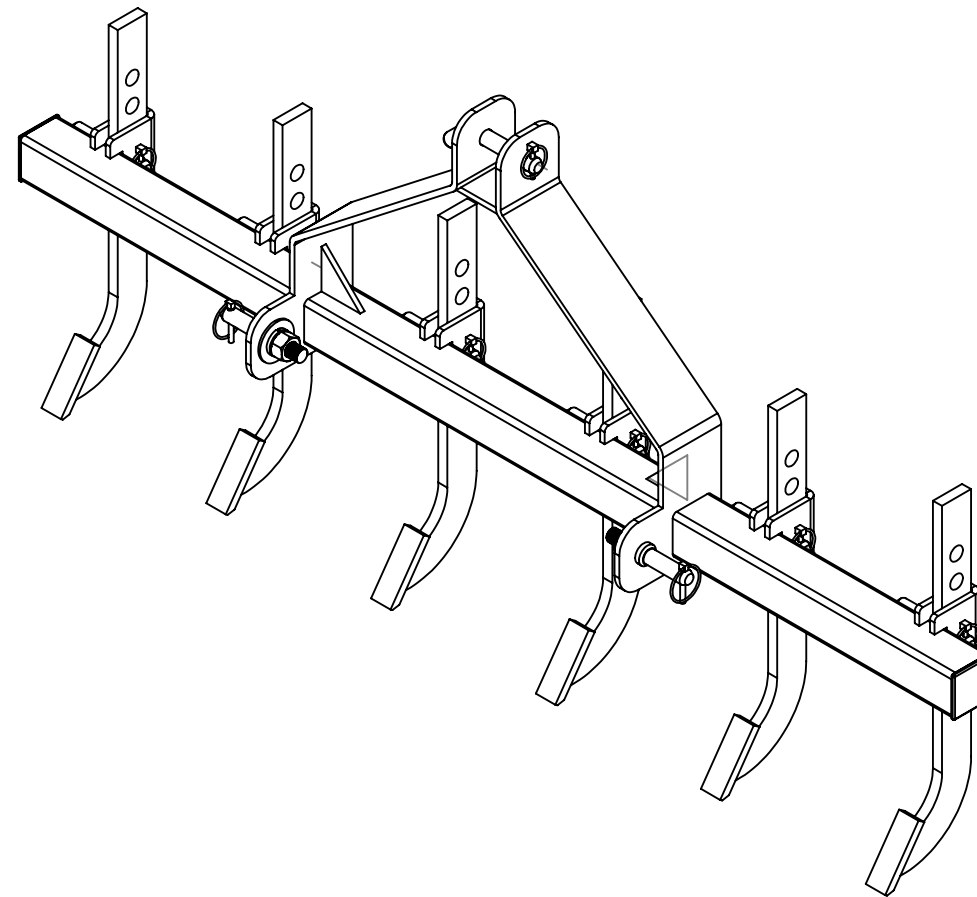




motoalliance

23001 Industrial Blvd, Rogers, MN 55374 / 1-866-527-7637
www.motoalliance.com - 411@motoalliance.com



BEFORE YOU BEGIN:

- Please read and understand all instructions.
- Verify all parts and tools are accounted for.
- To ensure a satisfactory installation, follow all steps correctly and in the sequence described.
- All directions referring to right and left are when the rider is sitting on the machine

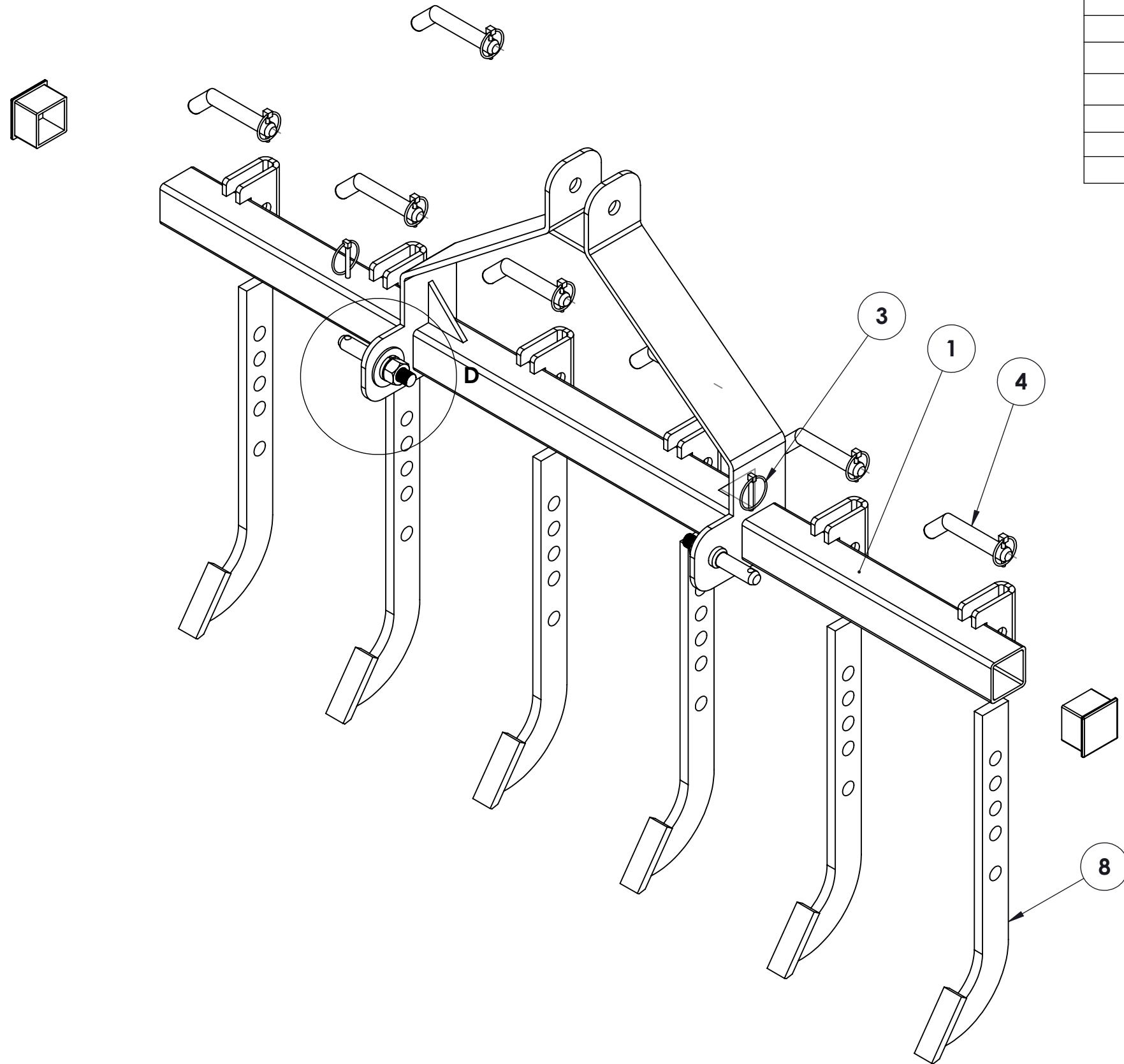
INSTALLATION NOTES: TOOLS REQUIRED:

- Basic Hand Wrench and Socket Set
- Plastic Cutting Tool - for opening packaging.

UPC 810541023181

ITEM# IP-6005

DESCRIPTION: Impact® 3-Point, Scarfire



ITEM NO.	DESCRIPTION	QTY.
1	Tool Bar Main Weldment	1
2	Cat 0 Draw Pin	2
3	Linch Pin 5/32" Dia.	2
4	5/8" Bent Hitch Pin / Snap Clip	7
5	Regular FW 0.625	2
6	Regular LW 0.625	2
7	HNUT 0.6250-18-D-N	2
8	Scarifier	6
11	50.8mm Tube Plug (Black Plastic)	2

